



# RAMROD PRE-INSTALLATION GUIDE

Shipped: (1) 14 foot or 16 foot gate • (1) Compact box

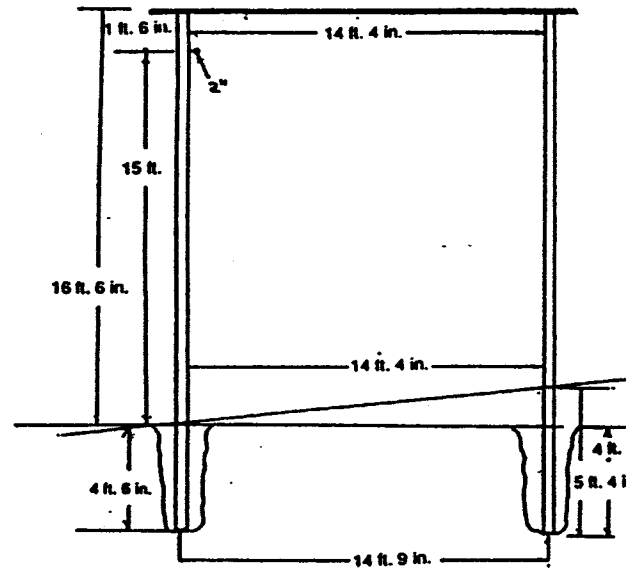
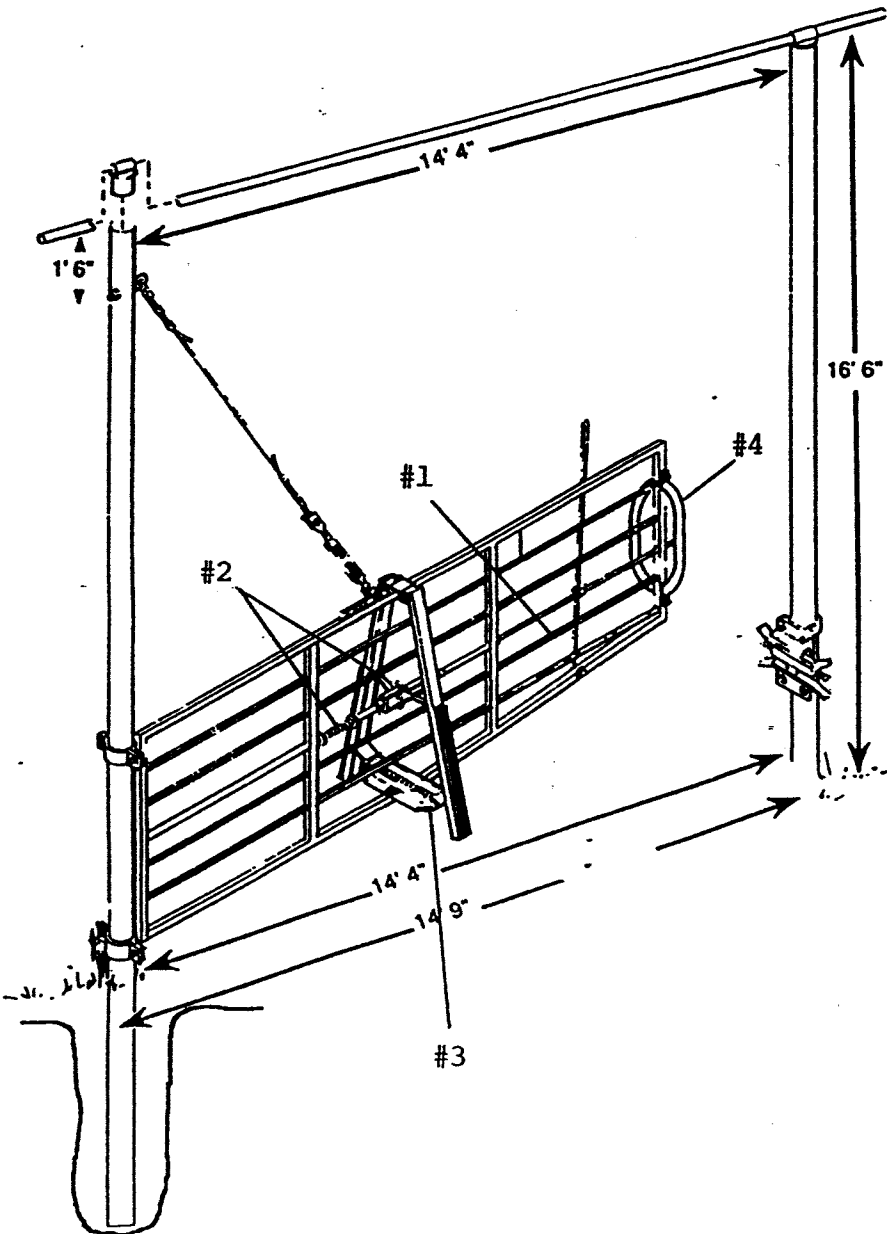
Remove any shipping wrap. Cut and remove tie-wire near bottom bumper bracket!!

### Re-installation of two (2) operating springs

1. Remove bolt in horseman's handle that's attached to 3/4" rod. **NOTE:** Do not lose spacers - use 1/2" wrench #1.
2. Remove 3/8" bolt at center of turnbuckle and pivot retractor bars out of turnbuckle. This will free rod, slide forward so rod spring may be slid onto rod (8" spring).
3. At bottom bumper bracket remove one nut on one side of rod. Slide one side of rod out of bracket, then slide on gold 16" spring between washers. Re-set rod to original position. This will spread bumper bars to open (ready position).
4. Mounting of safety bumpers

Item 2: 2" x 30" black rubber with steel attachments (rod and springs inside).

- A. Bolt to leading end of gate (bolt holes pre-set); attach as shown in diagram using 9/16" wrench.



### Materials Needed

- 1 - 1 1/2" x 21' Standard Black Pipe (cut to 17' 1")
  - 2 - 4" x 21' Standard Black Pipe
- Note: On one pipe (Hinge Pole), drill a 7/16" hole through at 18" down from top for eyebolt (provided).*

### Installation Requirements

1. Dig two holes at 14' 9" center to center (approx. 16" in diameter and approx. 4 1/2' feet deep).
2. Stand pipe system in concrete, plum square at 14' 4" inside width. Let cure for 2 days.
3. Install Ramrod Bumpgate™ as per Manual.